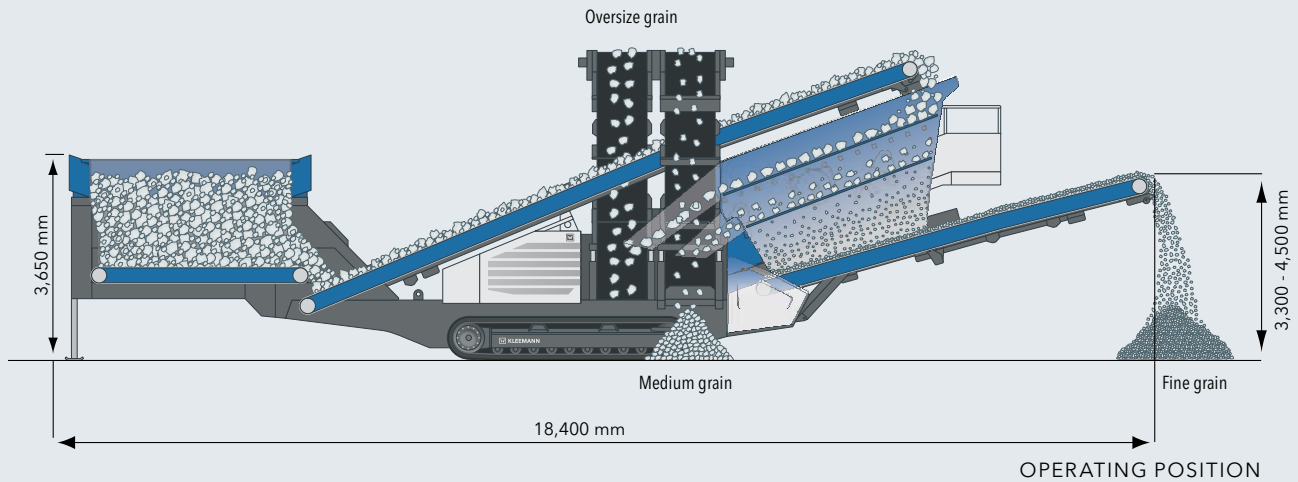


TECHNICAL INFORMATION | MOBILE SCREENING PLANTS

MOBISCREEN MS 702/702i EVO





TECHNICAL HIGHLIGHTS

- Mobile two-deck screening unit
- Diesel-hydraulic drive
- Classifying screen plant
- Maximum feed size 150 mm

TECHNICAL INFORMATION MS 702/702i EVO

Feeding unit

Feed capacity up to approx. (t/h)	350
Feed size max. (mm)	150 x 150
Feed height - foldable slotted grate (mm)	3,650
Hopper volume (m ³)	8

Hopper discharge conveyor

Width x Length (mm)	1,200 x 3,500
---------------------	---------------

Feeding conveyor

Width x length (mm)	1,200 x 10,400
---------------------	----------------

Screening unit

Type	Double-deck screen
Width x length (mm)	1,550 x 4,500

Fine grain discharger conveyor

Width x length (mm)	1,200 x 6,600
Discharge height approx. (mm)	3,300 - 4,500

Side discharge conveyor, right

Width x length (mm)	650 x 10,200
Discharge height approx. (mm)	5,000

Side discharge conveyor, left

Width x length (mm)	650 x 10,200
Discharge height approx. (mm)	5,000

Power supply unit

Drive concept	Diesel-hydraulic
MS 702: Deutz (Tier 3/Stage IIIA) (kW)	73
MS 702i: Deutz (Tier 4f/Stage IV) (kW)	75

Transport

Transport height approx. (mm)	3,400
Transport length approx. (mm)	16,750
Transport width approx. (mm)	3,000
Transport weight approx. (kg)	29,900



MOBISCREEN MS 702/702i EVO

The mobile screening plant MOBISCREEN MS 702 EVO is equipped with a 7 m² screen box and is used as a double-deck classifying screen. Thanks to favourable transport dimensions and short setup times, the plant meets the demands of contractor crushers. The screening plants are operated by a modern control system. All functions are thus easy to control, operating statuses and machine functions can be viewed at any time.

STANDARD EQUIPMENT

- Double-deck classifying screen
- Hopper unit 8 m³
- Foldable tipping grid, gap width 100 mm, hydraulic folding (remote control, small)
- Feeding conveyor, smooth belt
- Side discharge conveyors, belt width 650 mm, discharge height max. 5,000 mm
- Fine grain conveyor, belt width 1,200 mm, discharge height max. 4,500 mm
- Detachable, wired machine control system with the functions: crawler chassis, operation of discharge conveyors and foldable tipping grid (transport and production position), automatic mode, emergency off, moving support legs in and out, inclination adjustment for the fine grain conveyor and screen box, shifting and raising of the feeding conveyor, speed setting of hopper discharge conveyor, side discharge conveyors

OPTIONS

- Hopper unit 10 m³
- Wear lining made of wear-resistant steel (KRS) or rubber (for 8 and 10 m³)
- Vibrating tipping grid for separating feed material, gap width of upper deck 100 mm, gap width of lower deck 32 - 90 mm
- Dosing flap on hopper unit for continuous material flow
- Feeding conveyor, chevron belt made of solid rubber, prevents material from rolling back
- Feeding conveyor material brake prevents material from rolling back
- Screen blanket prevents feed material from jumping over on the upper deck
- Belt cover for the feeding conveyor or fine grain discharge conveyor
- External power supply - for cost-effective mains operation, switch between two energy sources possible: separate drive (diesel engine) or external power supply
- Radio remote control: crawler chassis, tipping grid, emergency stop
- Remote control for foldable tipping grid, can be supplemented for wired remote control (omitted if plant is equipped with radio remote control)
- Line coupling for interlinking with further KLEEMANN plants
- Large selection of screen surfaces for all decks with different mesh widths
- Screen beaters for usage with sticky material
- Water spraying system for dust reduction
- Lighting, halogen or LED



SPARE PARTS

Cost-effective operation of the machine also requires selection of the correct wear parts. KLEEMANN original parts are ideally tuned to the requirements of users and machines. They are characterised by a long service life, superior quality, high availability and trouble-free assembly. We support our customers with our application know-how and competent advice, which allows them to find the optimum wear part for their specific application.

APPLICATION-DEPENDENT WEAR PARTS

<p>Screen surfaces</p>		<ul style="list-style-type: none"> ☒ Screen surfaces with different mesh shapes, wire qualities and thicknesses available: <ul style="list-style-type: none"> > Square mesh > Rectangular mesh > Harp screens (G-harp, W-harp, S-harp, Varia harp)
<p>Scraper ledges</p> <p>Front scraper</p> <p>Wedge stripper</p>		<ul style="list-style-type: none"> ☒ Wedge stripper for protecting the conveyor belts ☒ Wear reduction through abrasion-proof plastic materials ☒ Precise scrapers guarantee less material loss ☒ Available for: <ul style="list-style-type: none"> > Side discharge conveyor (no front scraper but a beating roller) > Fine grain discharge conveyor > Feeding conveyor, smooth > Hopper discharge conveyor > Cleated belt (no front scraper but a beating roller) > Feeding conveyor, cleated belt (no front scraper but a beating roller)
<p>Conveyor belts</p>		<ul style="list-style-type: none"> ☒ Closed multi-layered conveyor belts are suitable for all requirements and increase the conveying capacity of the plants ☒ Cleated belts with full-rubber edges guarantee optimum material transport ☒ Resilient rubber intermediate links dampen impacts of different materials ☒ Smooth design or cleated belt
<p>Conveyor belt rollers</p>		<ul style="list-style-type: none"> ☒ High-quality rollers in the belt conveyors for transporting heavy materials ☒ Simple on-site maintenance thanks to easily replaceable rollers ☒ Available in different versions: <ul style="list-style-type: none"> > Support roller for feeding > Lateral guide roller > Return roller

Further information can be found at www.partsandmore.net or in our Parts and more catalogue